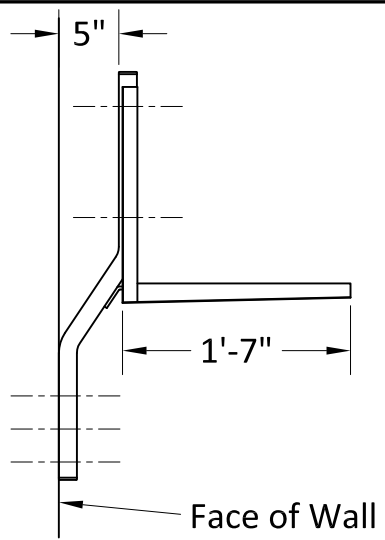
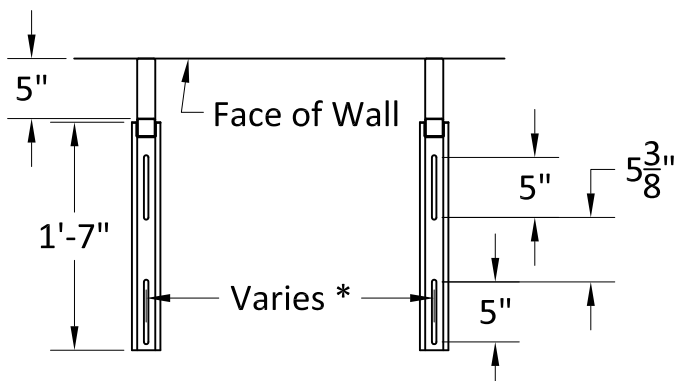


Elevation



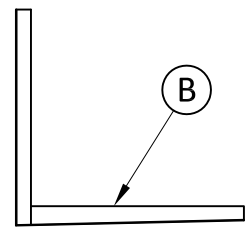
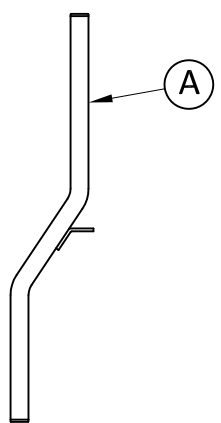
Side View



Plan View

(*) - Adjust bracket spacing to suit dimensions of unit.

Important Note: Anchor each Z-Bracket to wall with three 3/8"Ø lag bolts with lead anchors using holes provided.



PARTS LIST

- Ⓐ (2) - Z-Bracket
- Ⓑ (2) - L-Bar

Note - All assembly hardware is included

	<p>WALL BRACKET MODEL NO. QSWB3000</p>	<p>www.quick-sling.com email: info@quick-sling.com fax: 1-(800)-699-0423</p>	<p>Quick Sling, LLC 391 W. Water Street Taunton, MA 02780 1-(800)-699-0543</p>
--	--	--	--